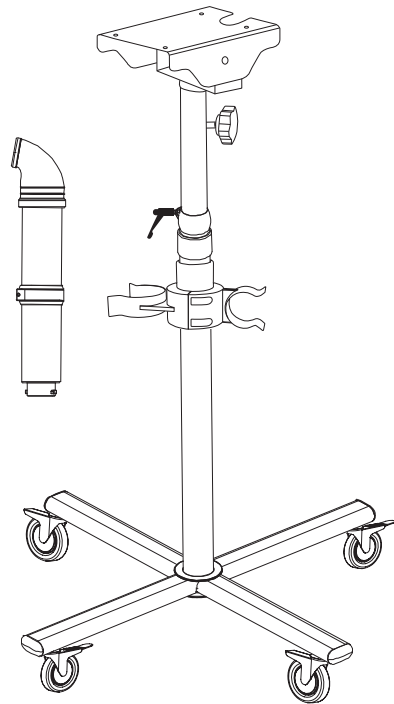


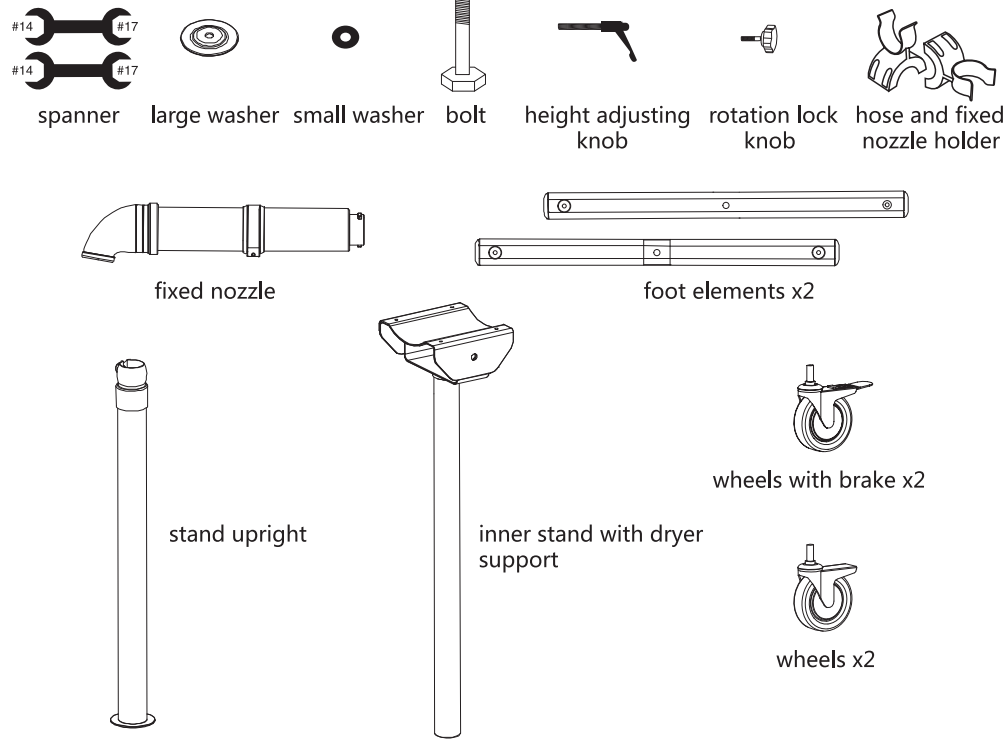
GROOM-X Stand and fixed nozzle kit for GROOM-X Zeppelin pet dryer



Please read these instructions carefully before assembly
Transgroom N.V. Moenkouterstraat 4, 8552 Moen, Belgium

Packing list

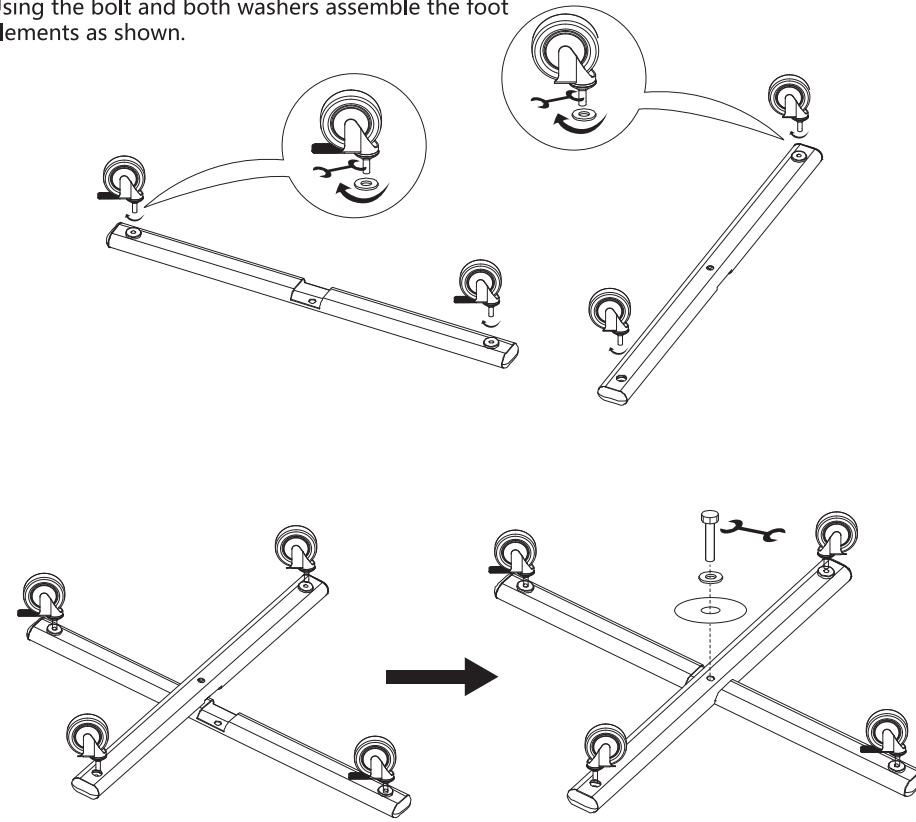
1



Assemble foot and wheels

2

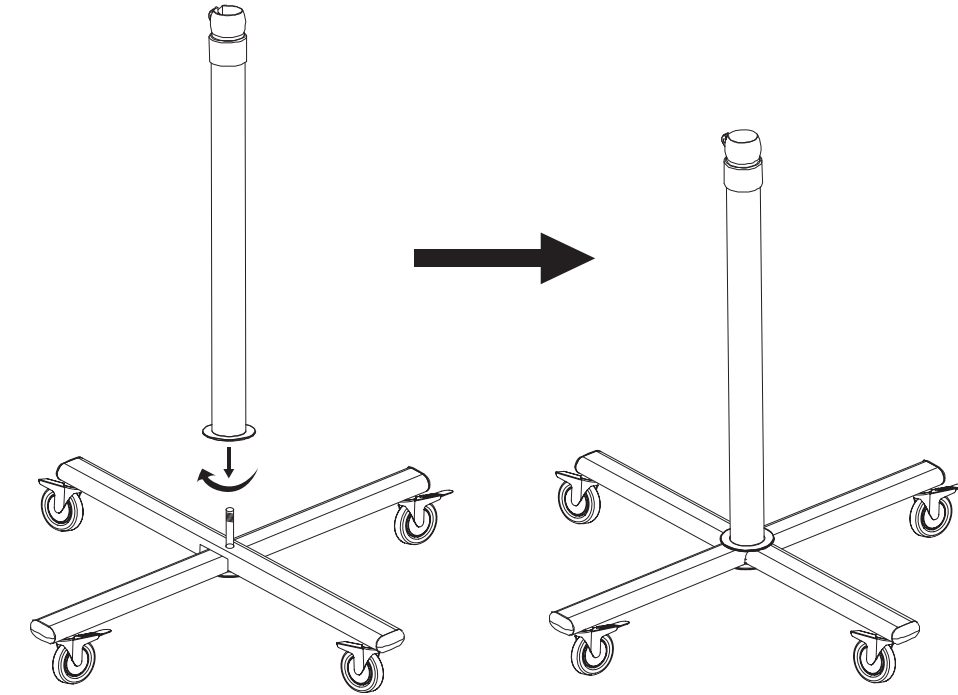
Screw the wheels into the holes at the end of both foot elements.
Using the bolt and both washers assemble the foot elements as shown.



Fixing the stand upright

3

Screw the stand upright clockwise onto the bolt and tighten.



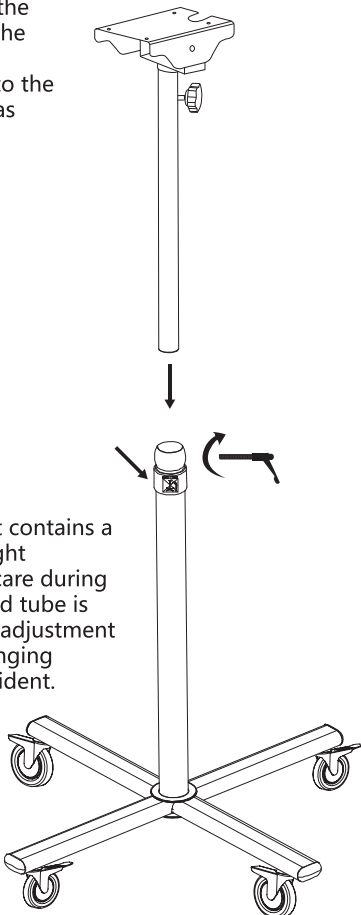
Adding the inner stand with dryer support

4

Insert inner stand tube into the stand upright and fix using the height adjusting knob.
Add the rotation lock knob to the top of the inner stand tube as shown.



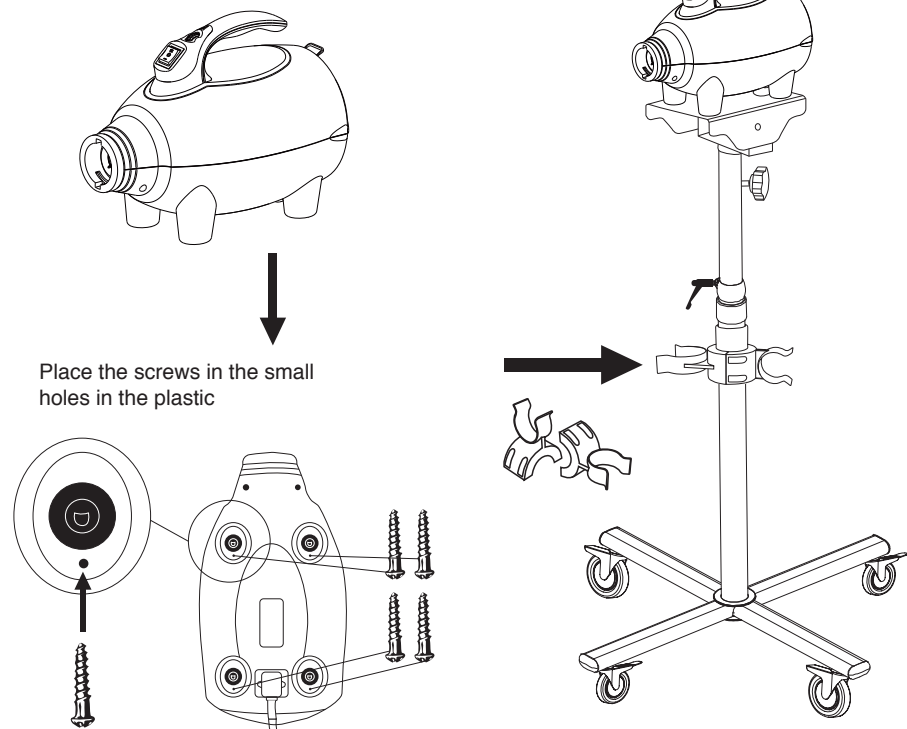
Attention! The stand upright contains a spring to assist with the height adjustment – Take extreme care during assembly that the inner stand tube is tightly fixed with the height adjustment knob to prevent it from springing upwards and causing an accident.



Fixing your GROOM-X Zeppelin to the stand

5

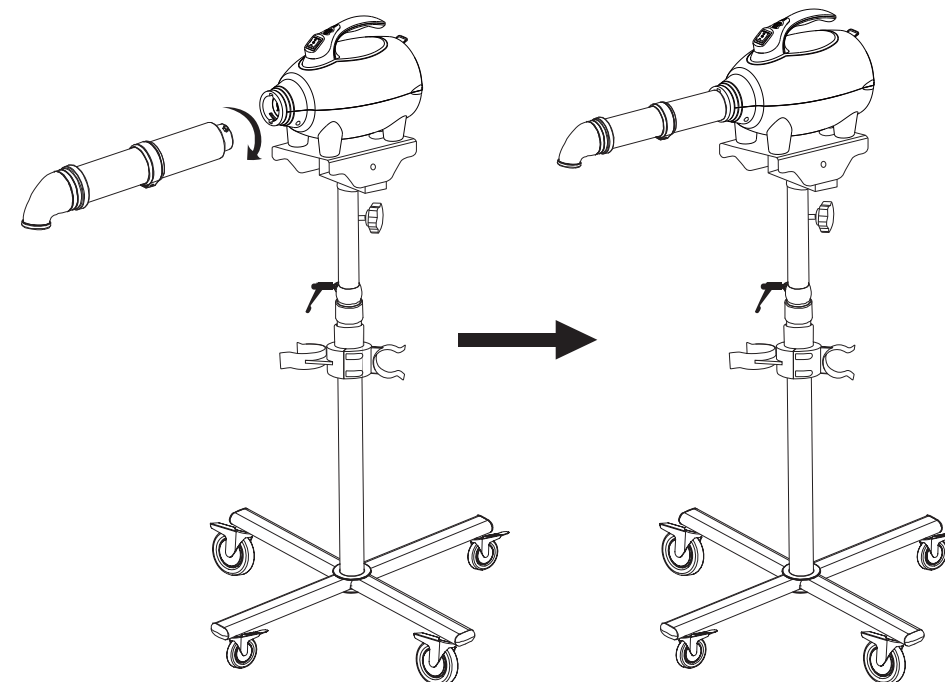
Put the screws in the small holes in the plastic.
Attach the dryer to the dryer support as shown.
Attach the hose and fixed nozzle holder to the stand upright using the screws provided.



Adding the fixed nozzle

6

Align the fixed nozzle with the slot on the front of the dryer and turn clockwise to secure. The fixed nozzle is used for hands-free drying and can be substituted for the flexible hose as and when required. When not in use, either the fixed nozzle or the flexible hose can be stowed on the hose and fixed nozzle holder on the stand upright.



7

